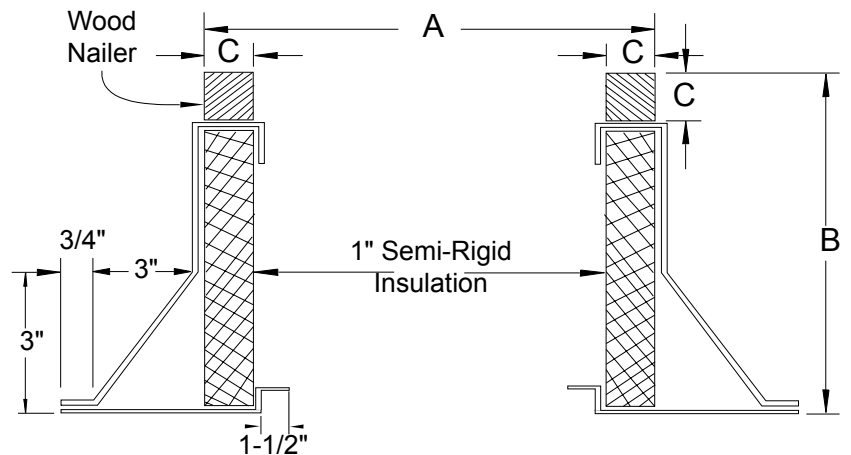




P: 866.733.0233
www.solerpalaucanada.com

INSULATED CANTED ROOF CURB



OPTIONS:

1. Insulation retainers - solid or screen type.
2. Burglar bars - 1/2" dia. on 6" centers.
3. Finishes - baked or air-dried enamel or epoxy.
4. Heights: 8, 12, or 16".
5. Single pitch, double pitch or flat style.
6. Damper Tray.

FAN SIZE	"A" OD (Square) CURB / RF TYPE								"B" CURB HEIGHT	"C" WOOD NAILER	GAUGES	WT.
	CENT. SUPPLY (KSF)	CENT. SUPPLY (CSF, LSF)	CENT. SUPPLY (SRT)	UP-BLAST ROOF (UBB, UBS, UBX, UBRD)	UPBLAST ROOF (UBSRD, UBSRD-HT, UBSRD-HT1)	UP-BLAST ROOF (TUB, TUB-HT)	HOODED ROOF (HREB-C, HRSB, HRED-C, HRSD, HRSBF, HRSDf)	PROPELLER ROOF (ARE/ARS)				
9	22-1/4	22-3/4	-	-	-	-	-	-	12" STD	1-1/2" Sq	18	34
10	26-1/2	26-1/2	14-3/4	-	-	-	-	18-1/2				36
12	30-1/2	26-1/2	-	-	-	-	-	22-1/2				36
15	30-1/2	30-1/2	-	-	-	-	-	-				36
16	-	-	-	-	-	-	-	26-1/2				36
18	34-5/8	34-5/8	-	-	-	-	-	-				40
20	49	49	-	-	-	-	-	30-1/2				58
24	-	-	-	31	28-1/2	33-1/4	33-1/4	-				39
30	-	-	-	37	34-1/2	39-1/4	39-1/4	-				46
36	-	-	-	43	40-1/2	45-1/4	45-1/4	-				54
42	-	-	-	49	46-1/2	51-1/4	51-1/4	-				61
48	-	-	-	55	52-1/2	57-1/4	57-1/4	-				68
54	-	-	-	61	58-1/2	63-1/4	63-1/4	-				75
60	-	-	-	67	64-1/2	69-1/4	69-1/4	-				82

1. Standard construction is shown. If special construction is required, note changes below and highlight.
2. G-90 galvanized welded steel construction.

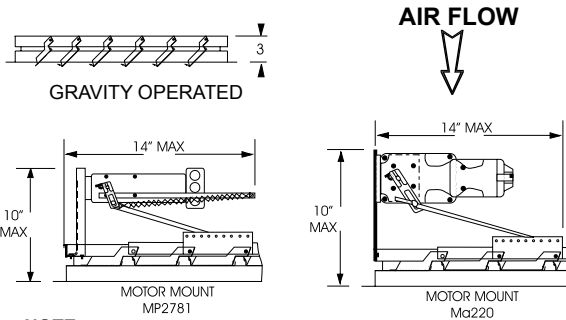
ACCESSORY ITEMS	1	2	3	4	5	ACCESSORY ITEMS	1	2	3	4	5
<input type="checkbox"/>						<input type="checkbox"/>					
<input type="checkbox"/>						<input type="checkbox"/>					
<input type="checkbox"/>						<input type="checkbox"/>					
<input type="checkbox"/>						<input type="checkbox"/>					

Project: _____ Submitted: _____
 Customer: _____ Approved: _____
 Location: _____

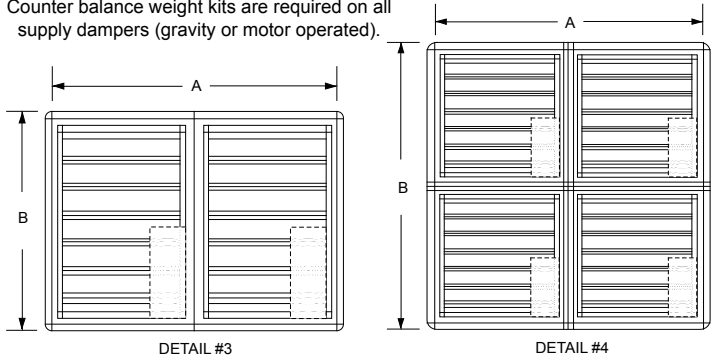


P: 866.733.0233
www.solerpalaucanada.com

BACKDRAFT DAMPERS FOR ROOF MOUNTED SUPPLY FANS



NOTE
Counter balance weight kits are required on all supply dampers (gravity or motor operated).



PLAN VIEW (TOP)

STANDARD SPECIFICATIONS:

- Maximum Face Velocity: 3000 fpm.
- Temperature limits: -40°F to 200°F (-40°C to 94°C)
- Minimum Size: 8 x 8
- Size: Single section: 42 x 64 Max W/H
Multiple section assembly - Unlimited size.
- Frame: 20 gauge galvanized steel.
- Blades: .025 thick aluminum.
HD 28 gauge galvanized steel.

Seals: Extruded vinyl mechanically locked into blades.

Axles: Stainless Steel.

Linkage: Stainless steel pins, galvanized steel tie bar.

Finish: Mill.

NOTES:

- Do not mount fan less than 12 inches from the shutter.
- Motors available in 24V, 120V, 240V & 440V.
- Dampers shipped in individual cartons.
- Motors and spring kits ship separately.
- Center-pivoted dampers must be used on reversible fans.
- Multiple section assemblies may require bracing support the weight of the assembly and to hold against system pressure. **BRACING SUPPLIED BY OTHERS.**
- Multiple section dampers are factory joined (except 72" and larger).

CAUTION: Motor kits are not suitable for use in explosive or flammable areas or airflows.

FAN SIZE	CENTRIFUGAL ROOF FANS				PROP ROOF FANS		ARS A Sq	MOTOR TYPE		PANELS (DETAIL)
	LSF, CSF & KSF		RCXII		HRSB, HRSBF, HRSD, HRSDF			TYPE	QTY	
	A Sq SIZE	B Sq OD FLANGE	A Sq SIZE	B Sq OD FLANGE	A Sq SIZE	B Sq OD FLANGE				
6 or 8	-	-	8	10-1/2	-	-	-	MP2781	1	1
9	16	18-1/2	-	-	-	-	-	MP2781	1	1
10	20	22-1/2	8	10-1/2	-	-	14	MP2781	1	1
12	20	22-1/2	15	17-1/2	-	-	18	MP2781	1	1
15	24	26-1/2	15	17-1/2	-	-	-	MP2781	1	1
16	-	-	-	-	-	-	22	MP2781	1	1
18	27	29-1/2	21	23-1/2	-	-	-	MP2781	1	1
20	42	44-1/2	21	23-1/2	-	-	26	MP2781	1	1
24/26	-	-	27	29-1/2	26	28-1/2	-	MP2781	1	1
30/33	-	-	34	36-1/2	32	34-1/2	-	MP2781	1	1
36	-	-	34	36-1/2	38	40-1/2	-	MP2781	1	1
42	-	-	-	-	44	46-1/2	-	MA220	1	2
48	-	-	-	-	50	52-1/2	-	MA220	1	2
54	-	-	-	-	56	58-1/2	-	MA220	1	2
60	-	-	-	-	62	65-1/2	-	MA220	1	2
72	-	-	-	-	76	78-1/2	-	MP2781	4	4

Heavy Duty Dampers required on all units with 7 1/2HP motors and above.

ACCESSORY ITEMS	1	2	3	4	5	ACCESSORY ITEMS	1	2	3	4	5
<input type="checkbox"/>						<input type="checkbox"/>					
<input type="checkbox"/>						<input type="checkbox"/>					
<input type="checkbox"/>						<input type="checkbox"/>					
<input type="checkbox"/>						<input type="checkbox"/>					

Project: _____ Submitted: _____
 Customer: _____ Approved: _____
 Location: _____